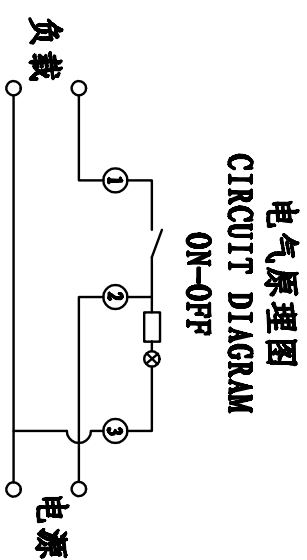
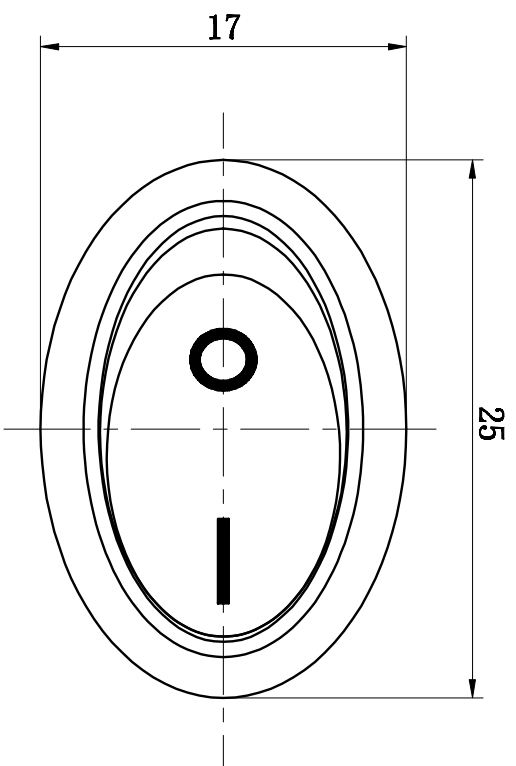
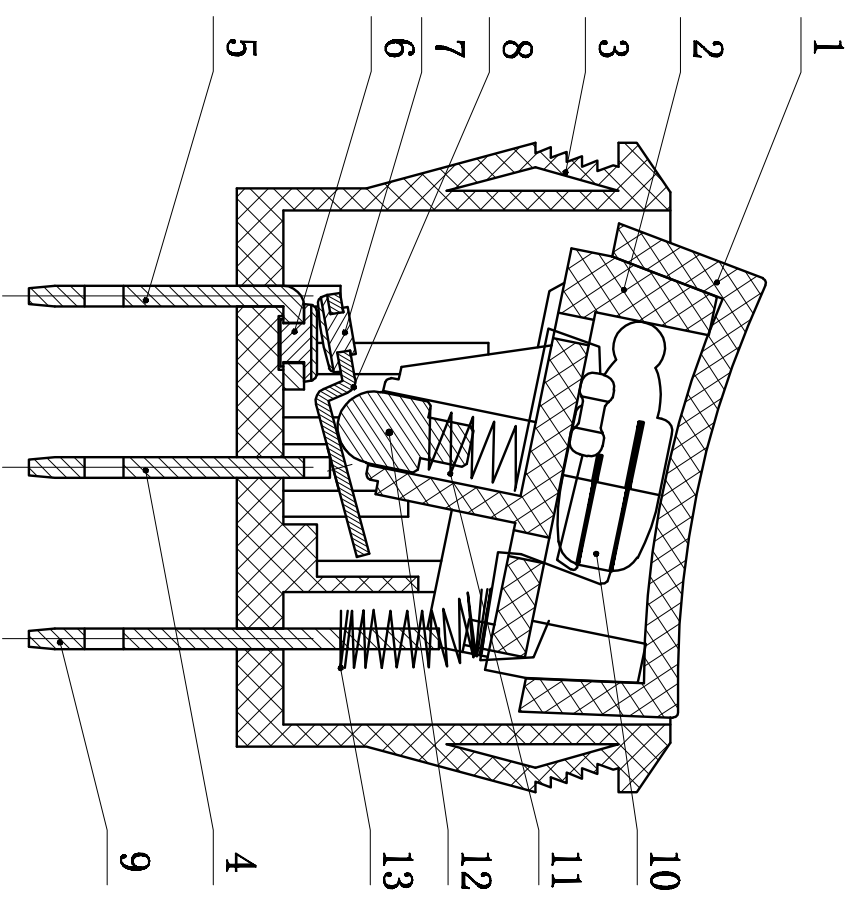


安装面板厚度 < 2mm  
Panel Thickness < 2mm



TOLERANCES UNLESS OTHERWISE 未指定容许尺寸公差	
BASIC DIMENSION TOLERANCES	
UP TO 10 (10以下)	±0.3
ABOVE 10 TO 100	±0.5
ABOVE 100 (100以上)	±0.8
ANGULAR DIMENSIONS (角度)	±3°





SOKEN		NINGBO MASTER SOKEN ELECTRICAL CO., LTD.	
DESIGNER	竺友期	DATE	2012. 4. 12
CHECKED BY		DATE	
APPROVED BY	周幸福	DATE	2012. 4. 12
		DIN UNIT	mm
		TITLE	RK2-37 1 × 11 黑红黄 0-1
		PAGE	1



<b>SOKEN</b>		NINGBO MASTER SOKEN ELECTRICAL CO., LTD.			
DESIGNER	竺友朝	DATE	2012. 4. 12	DIN UNIT	mm
CHECKED BY		DATE		TITLE	RK2-37 1 × 1N黑红灰 0-1
APPROVED BY	周幸福	DATE	2012. 4. 12	PAGE	1

# SPECIFICATION

# 规格书

1	Rating 额定值	10A 250VAC T100/55 10A 125VAC			
2	Operating temperature range 使用环境温度	-25~85℃			
3	Operating force 动作力	7±2N			
4	Marking 标记	The following is marked on the switch 开关上作如下标记			
		Manufacture's mark 商标			
		Catalogue No. 型号	RK2-37		
		Rating 额定值	10A 250VAC T100/55 10A 125VAC		
		Lot.No 批号			
		Approval mark 认证标记			
5	Approval No. 证书号	Approved	TUV	CQC	UL
		Catalogue NO. 证书类别	R50050067 0004	CQC03002003654	E218957
6	Applicable standard 适用标准		IEC61058.1-2003	GB15092.1-2003	UL1054
7	Contact resistance 接触电阻	100mΩ Max.			
8	Insulation resistance 绝缘电阻	100MΩ Min.			
9	Voltage proof 耐压	端子间1500VAC 5S;端子与接地间3000VAC 5S;			
10	Electric life 电气寿命	10000 cycles(10A 250VAC T100/55)			
11	Neon tube Electric life 氖泡电气寿命	More than 7000 hours			

## MATERIAL LIST

No. 序号	Part name 零件名称	Description 材料名称	Quantity 数量	Note 说明
1	Cover (面罩)	PC	1	Ge.PLastics Americas
2	Holding (内托)	PA66	1	DUPONT DE NEMOUSR
3	Housing (底壳)	PA66	1	DUPONT DE NEMOUSR
4	Terminal (支架脚)	Brass t=0.8mm	1	H62 Y2 GB/T2059-2000
5	Contact (触点脚)	Brass t=0.8mm	1	H62 Y2 GB/T2059-2000
6	Static contact(静触点)	银合金	1	
7	Dynamic contact(动触点)	银合金	1	
8	Dynamic flake (动触片)	Brass t=0.5mm	1	H62 Y2 GB/T2059-2000
9	Spring terminal(弹簧脚)	Brass t=0.8mm	1	H62 Y2 GB/T2059-2000
10	Neon lamp (氖阻)	513+4W(红)	1	YANGZHOU YANGJIE LIGHTING AND ELECTRIC APPIANCE CO.,LTD
11	Spring (弹簧)	Carbon steel wire	1	T9A GB4357-89
12	Spring plunger (弹簧柱)	HPb59-1 Y2	1	GB/T14954-94
13	Spring (弹簧)	Carbon steel wire	1	T9A GB4357-89

宁波万事达综研电气有限公司 NINGBO MASTER SOKEN ELECTRICAL CO.,LTD.	DESIGNER 设计	竺友朝	DATE日期	2012. 4. 12	DIN UNIT 单位	mm
	CHECKED BY 审核		DATE日期		TITLE 型号	RK2-37 1×1N黑红阻*0-
	APPROVED BY 批准	周幸福	DATE日期	2012. 4. 12	DRAWING NO.图号	3604182